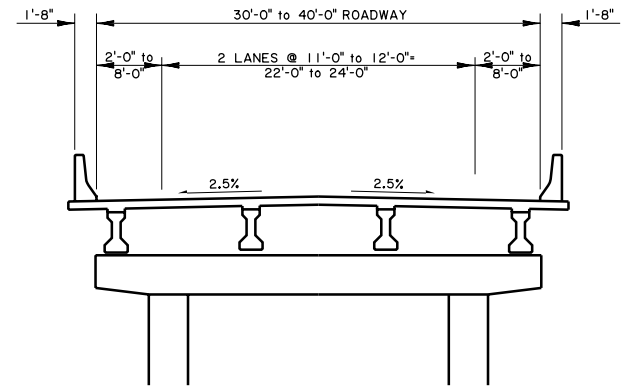
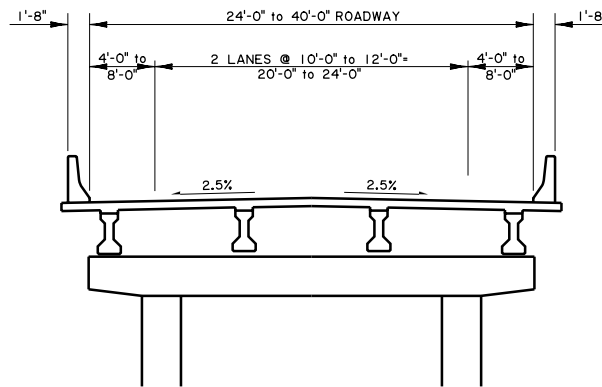


**TYPICAL SECTION - ARTERIAL CROSSING**



**TYPICAL SECTION - COLLECTOR CROSSING**



**TYPICAL SECTION - LOCAL ROAD CROSSING**



**URS Corporation**

In Association With:  
 HNTB Corporation, Inc.,  
 Garver Engineers,  
 Coyle Engineering Co., Inc.,  
 R. Christopher Goodwin & Associates, Inc. and  
 Historic Preservation Association

**Interstate 69  
 Section of Independent Utility No. 14**

State Project No. 736-99-1032  
 Federal Aid Project No. CBI-9901(516)  
 Junction I-20 to US 167 near El Dorado, Arkansas  
 Bossier, Caliborne and Webster Parishes, Louisiana  
 Columbia and Union Counties, Arkansas



DESIGNED BY: \_\_\_\_\_  
 DRAWN BY: \_\_\_\_\_  
 CHECKED BY: \_\_\_\_\_  
 REVIEWED BY: \_\_\_\_\_  
 CAD FILE NAME: \_\_\_\_\_  
 DATE: \_\_\_\_\_

**FIGURE 3.2-2**

**TYPICAL BRIDGE SECTIONS  
 ARTERIAL, COLLECTOR AND LOCAL ROADWAYS**